



Perfectness in Motion.



Excalibur[®]
← SPORT & BUSINESS CARRIER



Connect the beauty



with the useful.

Excalibur[®]
SPORT & BUSINESS CARRIER

No worries ...

Made and developed for any kind of daily loadings, but showing up with an extra-ordinary design of the elegant and aerodynamic fiberglass body.

The Excalibur trailer is available from 750 kg up to 1,800 kg gross weight. Transport your goods dry and safe!



Sports
+
Bikes

The ultimate way to transport your goods. Whatever you transport, either a go-kart, a motorcycle or bike, or even a hot-air balloon - the Excalibur trailer takes all those items safe and protected.

... just carries!

Using the Excalibur trailer for business purposes or just for fun - it is always an eye-catcher.



Products
+
Business

Enjoy the additional benefit of that appealing travel companion as an ideal advertising medium - it is just unbeatable.

Design and Colors!



Red White Grey Yellow

Special colors

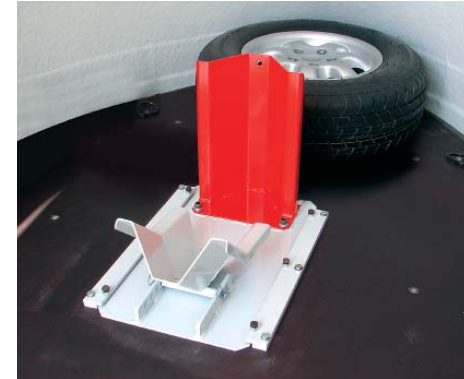


Silver-Metallic Black-Metallic Black Blue Customstyle

Two different sizes are available. For the measurements of the models S1 and S2, please, have a look at 'Technical Data'. Besides those options as brackets and clamps a business package with aluminium cover and integrated spare wheel holder is also available.

Type S1

Type S2



Motorcycle wheel chock



Tray for bikes higher than 150 cm

On inquiry we can offer further solutions to extend the usefulness of the trailer.



Business package with spare wheel



Technical Data

Body / Chassis:

Full fiberglass body

Frame: Hot-dip galvanized AL-KO frame

Chassis: Braked AL-KO axle with V-drawbar chassis

| Model: | Type S1 | Type S2 |
|-----------------|--|---|
| Variant: | 750 / 1000 / 1200 / 1300 / 1500 | 1300 / 1500 / 1800 |
| Length overall: | 4780 mm | 5205 mm |
| Length of body: | 3610 mm | 3970 mm |
| Width: | 2080 mm | 2480 mm |
| Height: | 1970 mm | 1990 mm |
| Net weight: | 450 kg | 550 kg / 570 kg |
| Gross weight: | 750 / 1000 / 1200 / 1300 / 1500 kg | 1300 / 1500 / 1800 kg |
| Tyres: | 205/70-14 (750/1000/1200/1300) 205/65-15 (1500) | 205/65-15 (1300/1500) 195/70-15 (1800) |

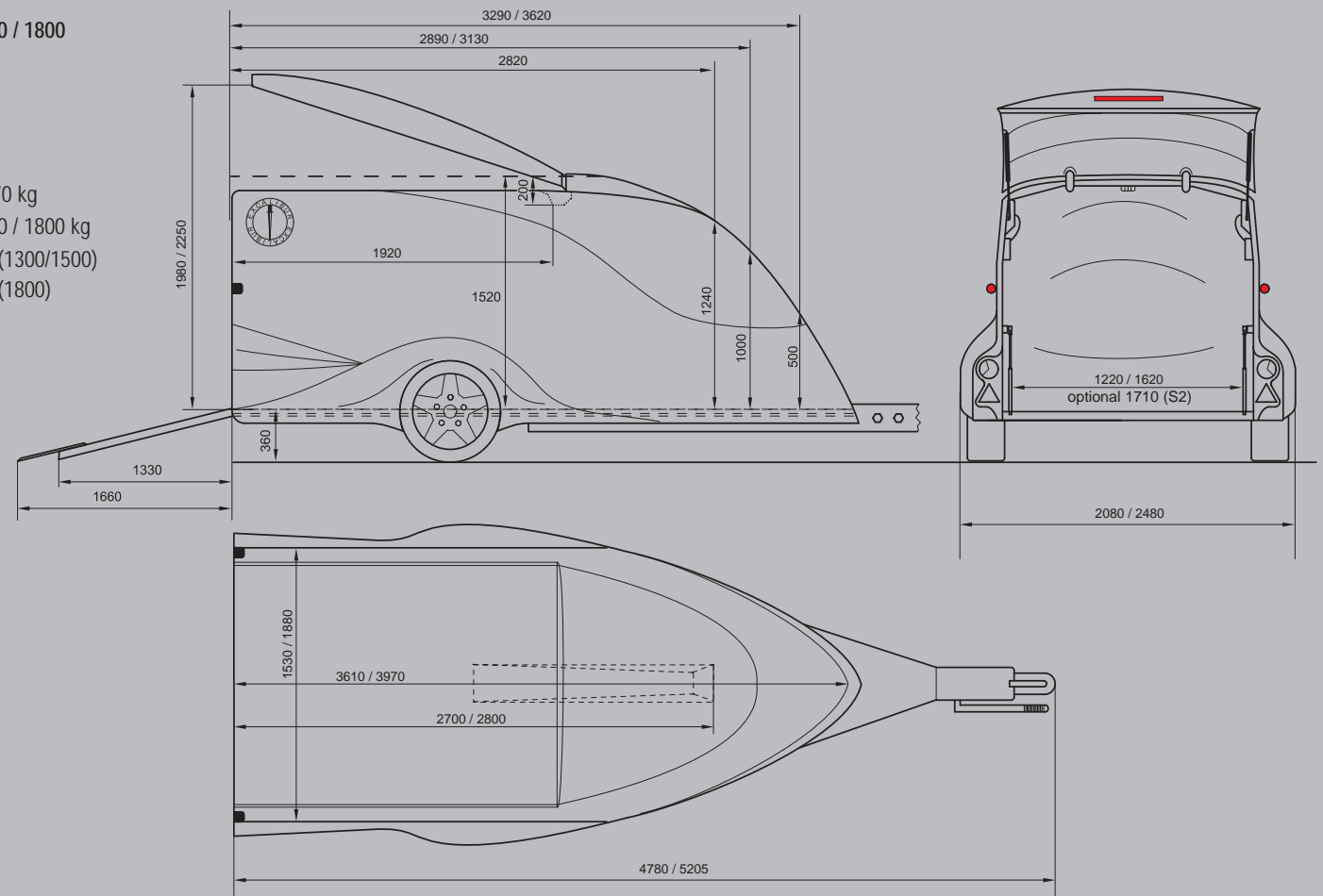
Equipment [standard]

- Flap roof with 2 gas pressure dampers
- Tailgate with 2 gas tension dampers
- Reverse light
- Rear fog light
- Additional brake light
- Inner light
- Crank-support at the rear
- Tailgate with central locking
- Tie-down rings 6 pcs. (10 pcs.)
- Overrun brake and handbrake

Special equipment

- Alloy-wheels
- Business package
- Anti-theft device
- Loading support
- Tray (15 cm depth)
- Motorcycle wheel chock
- 100 km/h allowance in Germany
- Spare wheel
- Vario-rail for bike-fixing
- Bicycle holder
- Breakdown set

Measurements: S1 / S2



Further options and individual painting on inquiry after check of feasibility. Extra costs will be charged.
The delivery will take place with a EC certificate of conformity (S1-750 with a German registration document)

Just load 'n go!



The large tailgate and the flap roof allow easy access. The trailer also has superb handling qualities.

All information, photos, and technical details in this brochure are based on the latest stage prior printing. All rights to change technical and optical features are reserved.

**CONNECT THE BEAUTY
WITH THE USEFUL.**

Your Excalibur Dealer



Excalibur[®]
SPORT & BUSINESS CARRIER

D*SIGN Dienstleistung- und Warenvertriebs GmbH • Schlosserstrasse 24 • D-51789 Lindlar
Telephone +49(0) 2266/47999932 • Fax +49(0) 2266/47999929 • www.ExcaliburEurope.com • info@ExcaliburEurope.com